



## Medium-intensity Type C Aviation Obstruction Light AH-MI/C

*Red fixed obstruction light for reliable night time marking of offshore wind turbines in UK territorial waters that present a hazard to aviation. Incorporates the benefits of advanced LED, optical and system control technology to meet challenges of the most demanding applications*



### Advantages

1. lightweight low wind built-in photocell and monitoring-no additional power supply
2. International-advanced cold LED with low power consumption, high brightness and service life of light source reaching 100000hours.
3. high accuracy light beam optical design
4. Strong corrosion resistance, Shock and Vibrations protection and UV protection.
5. Built-in circuit protect LED, extremely reliable and cost saving.
6. High Efficiency LED 60 Watts Energy Consumption.
7. The circuit of the light has surge protection whose lightning proof ability is In 7.5KA/5 times, IMAX 15KA so that the light is suitable to harsh environment.
8. Resistant to heavy rain or storms.
9. Free maintenance and aluminum alloy Material.
10. Five year warranty
11. low power consumption and low cost of ownership.

### Function

This product is the single light with Photocell. It can work at night automatically at night when ambient brightness is lower than 500cd/m<sup>2</sup> and close during the day by photocell.

### Scope of Application

This series of products can be used alone on the top of the high-rise building, high chimney, Telecom tower etc whose height is between 45m and 105m. When the building is higher than 105m, this series of products can be used with Medium-intensity Type A or high-intensity obstruction light to play a warning role in potentially hazardous obstructions to air traffic flashing Red safety light.

### Application



## ANHANG TECHNOLOGY

Add: Floor 4, Building 1, Bangtai Industrial Zone,  
Jixiang Garden, Bantian Street, Longgang  
District, Shenzhen, Guangdong, China

Tel/Fax : +86-755-89589401  
Mob : +86-13260726316 (Alice)  
E-mail : sale@ahicao.com  
<http://www.ahicao.com>  
<http://www.annhung.com>



© Anhang Technology 2016 | All rights reserved

# Medium-intensity Type C Aviation Obstruction Light

## AH-MI/C

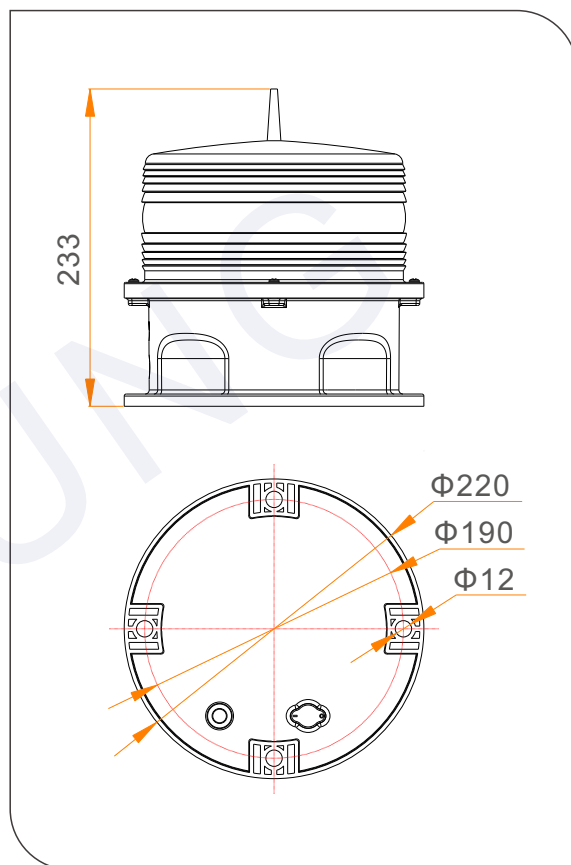
### Main Parameter

- 1.Mode:AH-MI/C
- 2.Light intensity:2,000cd  $\pm$ 25%
- 3.Flash rate: Steady-burning mode
- 4.Light source: LED
- 5.Service life of LED: $\geq$ 100,000hours
- 6.Operating voltage: AC220V (option voltage, eg. AC120V, AC110V, DC48V)
- 7.Power consumption: 30W
- 8.Overall size(mm):  $\Phi$ 220 by 233
- 9.Installation size(mm): $\Phi$ 190 by M10
- 10.Vertical degree: 3°
- 11.Horizontal degree: 360°
- 12.Material:
  - Housing: PC
  - Base: die casting aluminum
- 13.Weight: 3Kg
- 14.Emitting color: Aviation red
- 15.Ambient temperature : -40°C~+60°C
- 16.Wind load: 80m/s
- 17.Protection standard: IP65

### Compliance

- Medium-intensity Type C and FAA L-864
- Medium-intensity Type C Aviation Obstruction Light, ICAO Annex 14 Volume 1, 'Aerodrome Design and Operations' Forth edition July 2004, table 6.3

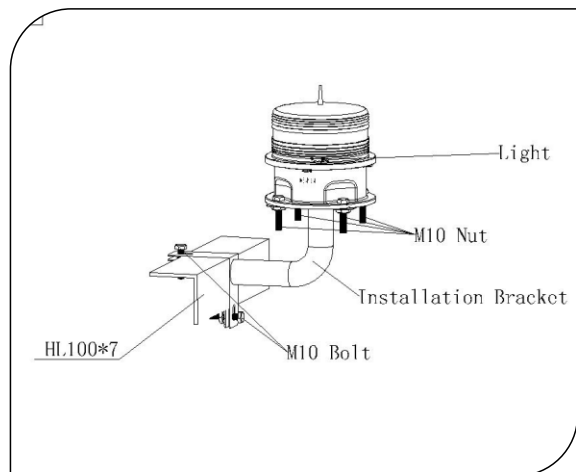
### Dimension Drawing



### Production Flow Chart



### Installing diagram



## ANHANG TECHNOLOGY

Add: Floor 4, Building 1, Bangtai Industrial Zone, Jixiang Garden, Bantian Street, Longgang District, Shenzhen, Guangdong, China

Tel/Fax : +86-755-89589401  
Mob : +86-13260726316 (Alice)  
E-mail : sale@ahicao.com  
<http://www.ahicao.com>  
<http://www.annhung.com>



© Anhang Technology 2016 | All rights reserved